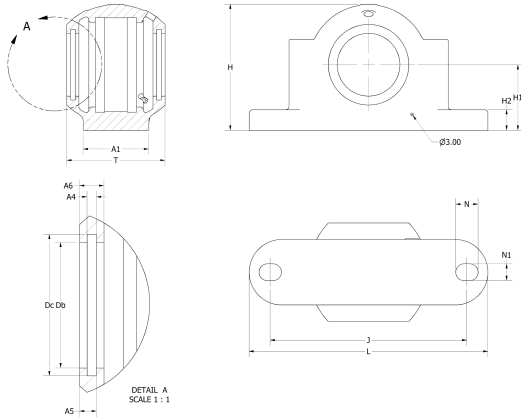




Technical datasheet

Metric

EBL split plummer block bearing



CAD FILES

Shaft Metric	Type	T	H	H ¹	J	L	N	N1	Ca	A4	A4	A6	Db	Dc	A1	Bearing	Adapter	Lockring 2x		
30	EBL-508	85	103	60	170	205	20	15	80	5	8	11	52	60	60	1307 EKTN9	H307	FRB 9/80		
																21307 CCK				
																2307 EKTN9				
35	EBL-508	85	103	60	170	205	20	15	80	5	8	11	52	60	60	1208 EKTN9	H208	FRB 10.5/80		
																2208 EKTN9				
																22208 EKTN9				
																BS2-2208-2CSK/VT143			H2308 E	FRB 5.5/72
																C 2208 KTN9				
																1209 EKTN9			H209	FRB 5.5/85
2209 EKTN9																				
40	EBL-509	85	109	60	170	205	20	15	85	5	9	12	57	65	60	22209 EK	H309	FRB 3.5/85		
																BS2-2209-2CSK/VT143			H309 E	FRB 1/85
																C 2209KTN9				
	EBL-511	95	128	70	210	255	24	18	100	5	9	12	67	76	70	1309 EKTN9	H309	FRB 9.5/100		
																21309 EK				
																2309 EKTN9				
45	EBL-510	90	113	60	170	205	20	15	90	5	9	12	62	71	60	22309 EK	H2309	FRB 4/100		
																1210 EKTN9				
																2210 EKTN9				
	EBL-512	105	134	70	210	255	24	18	110	5	9	12	72	81	70	22210 EK	H310	FRB 9/90		
																BS2-2210-2CSK/VT143			H310 E	FRB 6.5/90
																C 2210KTN9				
50	EBL-511	95	128	70	210	255	24	18	100	5	9	12	67	76	70	1310 EKTN9	H310	FRB 10.5/110		
																21310 EK				
																2310 EKTN9				
	EBL-513	110	149	80	230	275	24	18	120	5	9	13	77	86	80	22310 EK	H2310	FRB 4/110		
																1211 EKTN9				
																2211 EKTN9				
55	EBL-512	105	134	70	210	255	24	18	110	5	9	12	72	81	70	22211 EK	H311	FRB 9.5/100		
																BS2-2211-2CSK/VT143			H311 E	FRB 6.5/100
																C 2211KTN9				
	EBL-513	110	149	80	230	275	24	18	120	5	9	13	77	86	80	1311 EKTN9	H311	FRB 6.5/100		
																21311 EK				
																2311 EKTN9				
60	EBL-512	105	134	70	210	255	24	18	110	5	9	12	72	81	70	22311 EK	H2311	FRB 9.5/100		
																1212 EKTN9				
																2212 EKTN9				
	EBL-513	110	149	80	230	275	24	18	120	5	9	13	77	86	80	22212 EK	H312	FRB 10/110		
																BS2-2212-2CSK/VT143			H312 E	FRB 7/110
																C 2212KTN9				
70	EBL-512	105	134	70	210	255	24	18	110	5	9	12	72	81	70	1312 EKTN9	H312	FRB 12.5/130		
																21312 EK				
																2312 EKTN9				
	EBL-513	110	149	80	230	275	24	18	120	5	9	13	77	86	80	22312 EK	H2312	FRB 5/130		
																1213 EKTN9				
																2213 EKTN9				
EBL-513	110	149	80	230	275	24	18	120	5	9	13	77	86	80	22213 EKTN9	H313	FRB 10/110			
															BS2-2213-2CSK/VT143			H2313 E	FRB 6.5/110	
															C 2213KTN9					

60	EBL-516N Not Standard	120	177	95	320	380	28	22	140	5	9	13	93	101	90	C 2213KTN9	H313 E	FRB 10/120	
																1313 EKTN9	H313	FRB 12.5/140	
																21313 EK			
	2313 EK	H2313	FRB 5/140																
	22313 EK																		
	1313 EKTN9																		
EBL-516	120	177	95	260	315	28	22	140	5	9	13	93	101	90	21313 EK	H313	FRB 12.5/140		
															2313 EK	H2313	FRB 5/140		
															22313 EK				
63,5	EBL-515	115	155	80	230	280	24	18	130	5	9	13	87	96	80	22215 EKTN9	HE316	FRB 12.5/130	STEP
65	EBL-515	115	155	80	230	280	24	18	130	5	9	13	87	96	80	1215 EKTN9	H215	FRB 15.5/130	
																2215 EKTN9	H315	FRB 12.5/130	
																22215 EKTN9			
	BS2-2215-2CSK/VT143	H2315 E	FRB 9/130																
	C 2215KTN9	H315 E	FRB 12.5/130																
	1315 EKTN9	H315	FRB 14/160																
21315 EK																			
2315 K																			
EBL-518	140	194	100	290	345	28	22	160	5	9	13	103	111	100	22315 EK	H2315	FRB 5/140		
															2315 K	H2315	FRB 5/160		
															22315 EK				
1216 K	H216	FRB 16/140																	
22216 EK	H316	FRB 12.5/140																	
70	EBL-516	120	177	95	260	315	28	22	140	5	9	13	93	101	90	BS2-2216-2CSK/VT143	H316E	FRB 9/140	STEP
70	EBL-519	145	212	112	290	345	28	22	170	6	10	14	131	141	100	2216 EKTN9	H316	FRB 12.5/140	
																C2216 K	H316 E	FRB 14.5/170	
																1316 K	H316		
	21316 EK	H2316	FRB 5/170																
	2316 K																		
	22316 EK																		
C 2316 K	H217	FRB 16.5/150																	
1217 K																			
2217 K																			
22217 EK	H317	FRB 12.5/150																	
75	EBL-517	125	183	95	290	320	28	22	150	6	9	13	98	106	90	C 2217 K	H317 E	FRB 8.5/150	STEP
BS2-2217-2CSK/VT143																			
EBL-520	160	218	112	320	380	32	26	180	6	10	14	138	148	110	1317 K	H317	FRB 14.5/180		
															21317 EK				
															2317 K	H2317	FRB 5/180		
22317 EK																			
C 2317 K																			
80	EBL-518	140	194	100	290	345	28	22	160	6	9	13	103	111	100	1218 EK	H218	FRB 17.5/160	STEP
21318 EK	H2318	FRB 6.25/160																	
2218 K	H318	FRB 12.5/160																	
22218 EK																			
C2218 K	H318 E	FRB 8.5/161																	
BS2-2218-2CSK/VT143	H2318 E																		
1219 K	H219	FRB 18/170																	
85	EBL-519	145	212	112	290	345	28	22	170	6	10	14	131	141	100	2219 KM	H319	FRB 12.5/170	
22219 EK																			
C2219 K	H319 E	FRB 17.5/200																	
1319 K	H319																		
21319 EK																			
EBL-522	185	246	125	320	410	32	26	200	6	10	14	148	158	130	2319 KM	H2319	FRB 6.5/200		
															22319 EK				
															C 2319 K				
90	EBL-520	160	218	112	320	380	32	26	180	6	10	14	138	148	110	1220 K	H220	FRB 18/180	STEP
23220 CCK/W33	H2320	FRB 4.85/180																	
2220 KM	H320	FRB 12/180																	
22220 EK																			
C 2220 K	H320 E	FRB 7.5/180																	
BS2-2220-2CSSK/VT143	H2320 E																		
EBL-524	185	281	140	350	410	32	26	215	6	11	15	158	168	120	1320 K	H320	FRB 19.5/215		
															21320 EK				
															2320 KM	H2320	FRB 6.5/215		
22320 EK																			
C 2320 K																			
100	EBL-522	185	246	125	320	410	32	26	200	6	10	14	148	158	130	1222 K	H222	FRB 21/200	STEP
23222 CCK/W33	H2322	FRB 5.1/200																	
2222 KM	H322	FRB 13.5/200																	
22222 EK																			
BS2-2222-2CSSK/VT143	H2322 E	FRB 8.5/200																	
C 2222 K	H322 E	FRB 13.5/200																	
110	EBL-524	185	281	140	350	410	32	26	215	6	11	15	158	168	120	1224 KM	H3024	FRB 22/215	
23224 CCK/W33	H2324	FRB 5/215																	
C 3224 K	H2324 L																		
22224 EK	H3124	FRB 14/215																	
C 2224 K	H3124 L																		
BS2-2224-2CSSK/VT143	H2324 E	FRB 8.5/215																	