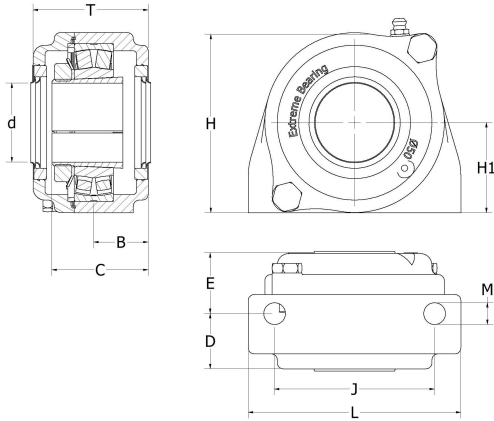




EXCT(R) Compact pillow block bearing

Double spherical roller bearing + adapter



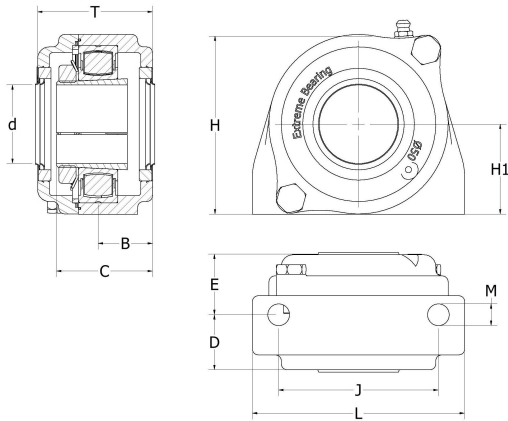
See **tabs below** for more types!

Type	d		B	C	T	H	H ¹	D	J	L	E	M	Grease hole	Basic load rating in KN		Limiting speed RPM	Axial movement	Seal seat
	Metric	Imperial												Dynamic	Static			
EXCT-024	23,81	15/16	25	44	54	73	36,5	25	56	70	29	10	M6	59	62	6300	3,5	42x7
EXCT-025	25	62/63																
EXCT-A25	25,4	1																
EXCT-028	28,57	1 1/8	26	48	60	85	42,9	26	76	98	33	10	M6	81	88	5300	3,5	47x7
EXCT-030	30	1 2/11																
EXCT-A30	30,16	1 3/16																
EXCT-032	31,75	1 1/4	28	50	60	94	47,6	28	83	103	33	10	M6	88	100	4800	3,5	52x7
EXCT-A35	34,9	1 3/8																
EXCT-035	35	1 17/45																
EXCT-037	36,51	1 7/16	28	51	62	98	49,2	28	89	116	34	12	M6	95	105	4500	3,5	62x7
EXCT-038	38,1	1 1/2																
EXCT-040	40	1 23/40																
EXCT-043	42,86	1 11/16	32	57	69	107	54	32	95	120	37	12	M6	100	120	4000	4	62x7
EXCT-044	44,45	1 3/4																
EXCT-045	45	1 3/4																
EXCT-049	49,2	1 15/16	34	60	73	114	57,2	35	102	135	38	16	M6	120	140	3800	4	72x7
EXCT-050	50	1 31/32																
EXCT-051	50,8	2																
Type	d		B	C	T	H	H ¹	D	J	L	E	M	Grease hole	Basic load rating in KN		Limiting speed RPM	Axial movement	Seal seat
	Metric	Imperial												Dynamic	Static			
EXCTR-028	28,57	1 1/8	26	48	60	85	42,9	26	66	98	33	10	M6	81	88	5300	3,5	47x7
EXCTR-030	30	1 2/11																
EXCTR-A30	30,16	1 3/16																
EXCTR-032	31,75	1 1/4	28	50	60	94	47,6	28	80	103	33	10	M6	88	100	4800	3,5	52x7
EXCTR-A35	34,9	1 3/8																
EXCTR-035	35	1 17/45																
EXCTR-037	36,51	1 7/16	28	51	62	98	49,2	28	84	116	34	12	M6	95	105	4500	3,5	62x7
EXCTR-038	38,1	1 1/2																
EXCTR-040	40	1 23/40																
EXCTR-043	42,86	1 11/16	32	57	69	107	54	32	90	120	37	12	M6	100	120	4000	4	62x7
EXCTR-044	44,45	1 3/4																
EXCTR-045	45	1 3/4																
EXCTR-049	49,2	1 15/16	34	60	73	114	57,2	35	94	135	38	16	M6	120	140	3800	4	72x7
EXCTR-050	50	1 31/32																



EXCE(R) Compact pillow block bearing

Single row spherical roller bearing + adapter



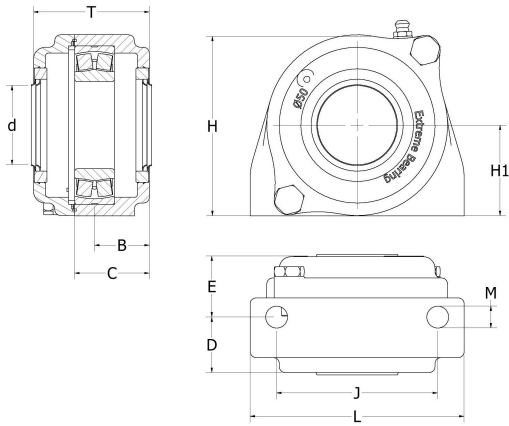
See tabs below for more types!

Type	d		B	C	T	H	H ¹	D	J	L	E	M	Grease hole	Basic load rating in KN		Limiting speed RPM	Axial movement	Seal seat
	Metric	Imperial												Dynamic	Static			
EXCE-024	23,81	15/16	25	44	54	73	36,5	25	56	70	29	10	M6	50	55	6300	3,5	42x7
EXCE-025	25	62/63																
EXCE-A25	25,4	1																
EXCE-028	28,57	1 1/8	26	48	60	85	42,9	26	76	98	33	10	M6	68	78	5300	3,5	47x7
EXCE-030	30	1 2/11																
EXCE-A30	30,16	1 3/16																
EXCE-032	31,75	1 1/4	28	50	60	94	47,6	28	83	103	33	10	M6	77	88	4800	3,5	52x7
EXCE-A35	34,9	1 3/8																
EXCE-035	35	1 17/45																
EXCE-037	36,51	1 7/16	28	51	62	98	49,2	28	89	116	34	12	M6	80	95	4500	3,5	62x7
EXCE-038	38,1	1 1/2																
EXCE-040	40	1 23/40																
EXCE-043	42,86	1 11/16	32	57	69	107	54	32	95	120	37	12	M6	83	102	4000	4	62x7
EXCE-044	44,45	1 3/4																
EXCE-045	45	1 3/4																
EXCE-049	49,2	1 15/16	34	60	73	114	57,2	35	102	135	38	16	M6	102	125	3800	4	72x7
EXCE-050	50	1 31/32																
EXCE-051	50,8	2																
Type	d		B	C	T	H	H ¹	D	J	L	E	M	Grease hole	Basic load rating in KN		Limiting speed RPM	Axial movement	Seal seat
	Metric	Imperial												Dynamic	Static			
EXCER-028	28,57	1 1/8	26	48	60	85	42,9	26	66	98	33	10	M6	68	78	5300	3,5	47x7
EXCER-030	30	1 2/11																
EXCER-A30	30,16	1 3/16																
EXCER-032	31,75	1 1/4	28	50	60	94	47,6	28	80	103	33	10	M6	77	88	4800	3,5	52x7
EXCER-A35	34,9	1 3/8																
EXCER-035	35	1 17/45																
EXCER-037	36,51	1 7/16	28	51	62	98	49,2	28	84	116	34	12	M6	80	95	4500	3,5	62x7
EXCER-038	38,1	1 1/2																
EXCER-040	40	1 23/40																
EXCER-043	42,86	1 11/16	32	57	69	107	54	32	90	120	37	12	M6	83	102	4000	4	62x7
EXCER-044	44,45	1 3/4																
EXCER-045	45	1 3/4																
EXCER-049	49,2	1 15/16	34	60	73	114	57,2	35	94	135	38	16	M6	102	125	3800	4	72x7
EXCER-050	50	1 31/32																



EXCTC(R) Compact pillow block bearing

Double spherical cylindrical roller bearing



Used tolerance for shaft diameter is according ISO Passing System m5. With a wider passing, loctite is recommended.

See tabs below for more types!

Type	d		B	C	T	H	H ¹	D	J	L	E	M	Grease hole	Basic load rating in KN		Limiting speed RPM	Axial movement	Seal seat
	Metric	Imperial												Dynamic	Static			
EXCTC-025	30	1 2/11	25	44	54	73	36,5	25	56	70	29	10	M6	59	62	6300	3,5	42x7
EXCTC-030	35	1 17/45	26	48	60	85	42,9	26	76	98	33	10	M6	81	88	5300	3,5	47x7
EXCTC-035	40	1 23/40	28	50	60	94	47,6	28	83	103	33	10	M6	88	100	4800	3,5	52x7
EXCTC-040	45	1 3/4	28	51	62	98	49,2	28	89	116	34	12	M6	95	105	4500	3,5	62x7
EXCTC-045	50	1 31/32	32	57	69	107	54	32	95	120	37	12	M6	100	120	4000	4	62x7
EXCTC-050	55	2 1/6	34	60	73	114	57,2	35	102	135	38	16	M6	120	140	3800	4	72x7
Type	d		B	C	T	H	H ¹	D	J	L	E	M	Grease hole	Basic load rating in KN		Limiting speed RPM	Axial movement	Seal seat
	Metric	Imperial												Dynamic	Static			
EXCTCR-030	35	1 17/45	26	48	60	85	42,9	26	66	98	33	10	M6	81	88	5300	3,5	47x7
EXCTCR-035	40	1 23/40	28	50	60	94	47,6	28	80	103	33	10	M6	88	100	4800	3,5	52x7
EXCTCR-040	45	1 3/4	28	51	62	98	49,2	28	84	116	34	12	M6	95	105	4500	3,5	62x7
EXCTCR-045	50	1 31/32	32	57	69	107	54	32	90	120	37	12	M6	100	120	4000	4	62x7
EXCTCR-050	55	2 1/6	34	60	73	114	57,2	35	94	135	38	16	M6	120	140	3800	4	72x7

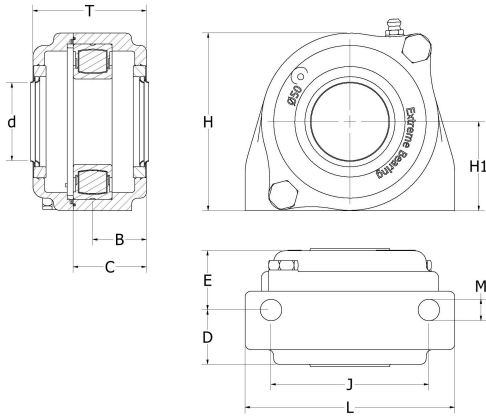
If needed size J is not listed, please contact info@extremebearing.com

See tabs below for more types!



EXCEC(R) Compact pillow block bearing

Single row spherical cylindrical roller bearing



Used tolerance for shaft diameter is according ISO Passing System m5. With a wider passing, loctite is recommended.

See tabs below for more types!

Type	d		B	C	T	H	H ¹	D	J	L	E	M	Grease hole	Basic load rating in KN		Limiting speed RPM	Axial movement	Seal seat
	Metric	Imperial												Dynamic	Static			
EXCEC-025	30	1 2/11	25	44	54	73	36,5	25	56	70	29	10	M6	50	55	6300	3,5	42x7
EXCEC-030	35	1 17/45	26	48	60	85	42,9	26	76	98	33	10	M6	68	78	5300	3,5	47x7
EXCEC-035	40	1 23/40	28	50	60	94	47,6	28	83	103	33	10	M6	77	88	4800	3,5	52x7
EXCEC-040	45	1 3/4	28	51	62	98	49,2	28	89	116	34	12	M6	80	95	4500	3,5	62x7
EXCEC-045	50	1 31/32	32	57	69	107	54	32	95	120	37	12	M6	83	102	4000	4	62x7
EXCEC-050	55	2 1/6	34	60	73	114	57,2	35	102	135	38	16	M6	102	125	3800	4	72x7
Type	d		B	C	T	H	H ¹	D	J	L	E	M	Grease hole	Basic load rating in KN		Limiting speed RPM	Axial movement	Seal seat
Metric	Imperial	Dynamic												Static				
EXCECR-030	35	1 17/45	26	48	60	85	42,9	26	66	98	33	10	M6	68	78	5300	3,5	47x7
EXCECR-035	40	1 23/40	28	50	60	94	47,6	28	80	103	33	10	M6	77	88	4800	3,5	52x7
EXCECR-040	45	1 3/4	28	51	62	98	49,2	28	84	116	34	12	M6	80	95	4500	3,5	62x7
EXCECR-045	50	1 31/32	32	57	69	107	54	32	90	120	37	12	M6	83	102	4000	4	62x7
EXCECR-050	55	2 1/6	34	60	73	114	57,2	35	94	135	38	16	M6	102	125	3800	4	72x7

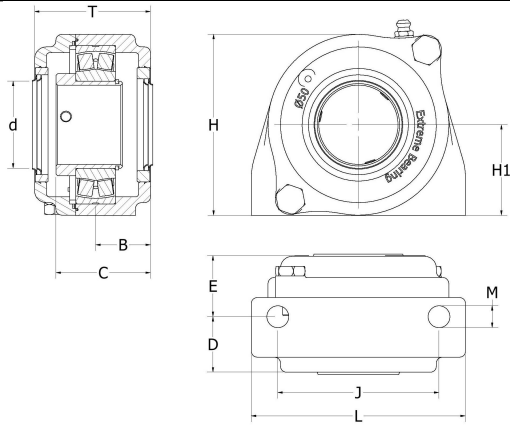
If needed size J is not listed, please contact info@extremebearing.com

See tabs below for more types!



EXCTV(R) Compact pillow block bearing

Double spherical roller bearing with set screw mounting



See **tabs below** for more types!

Type	d		B	C	T	H	H ¹	D	J	L	E	M	Grease hole	Basic load rating in KN		Limiting speed RPM	Axial movement	Seal seat
	Metric	Imperial												Dynamic	Static			
EXCTV-024	23,81	15/16	25	44	54	73	36,5	25	56	70	29	10	M6	59	62	6300	3,5	42x7
EXCTV-025	25	62/63																
EXCTV-A25	25,4	1																
EXCTV-028	28,57	1 1/8	26	48	60	85	42,9	26	76	98	33	10	M6	81	88	5300	3,5	47x7
EXCTV-030	30	1 2/11																
EXCTV-A30	30,16	1 3/16																
EXCTV-032	31,75	1 1/4	28	50	60	94	47,6	28	83	103	33	10	M6	88	100	4800	3,5	52x7
EXCTV-A35	34,9	1 3/8																
EXCTV-035	35	1 17/45																
EXCTV-037	36,51	1 7/16	28	51	62	98	49,2	28	89	116	34	12	M6	95	105	4500	3,5	62x7
EXCTV-038	38,1	1 1/2																
EXCTV-040	40	1 23/40																
EXCTV-043	42,86	1 11/16	32	57	69	107	54	32	95	120	37	12	M6	100	120	4000	4	62x7
EXCTV-044	44,45	1 3/4																
EXCTV-045	45	1 3/4																
EXCTV-049	49,2	1 15/16	34	60	73	114	57,2	35	102	135	38	16	M6	120	140	3800	4	72x7
EXCTV-050	50	1 31/32																
EXCTV-051	50,8	2																
Type	d		B	C	T	H	H ¹	D	J	L	E	M	Grease hole	Basic load rating in KN		Limiting speed RPM	Axial movement	Seal seat
	Metric	Imperial												Dynamic	Static			
EXCTVR-028	28,57	1 1/8	26	48	60	85	42,9	26	66	98	33	10	M6	81	88	5300	3,5	47x7
EXCTVR-030	30	1 2/11																
EXCTVR-A30	30,16	1 3/16																
EXCTVR-032	31,75	1 1/4	28	50	60	94	47,6	28	80	103	33	10	M6	88	100	4800	3,5	52x7
EXCTVR-A35	34,9	1 3/8																
EXCTVR-035	35	1 17/45																
EXCTVR-037	36,51	1 7/16	28	51	62	98	49,2	28	84	116	34	12	M6	95	105	4500	3,5	62x7
EXCTVR-038	38,1	1 1/2																
EXCTVR-040	40	1 23/40																
EXCTVR-043	42,86	1 11/16	32	57	69	107	54	32	90	120	37	12	M6	100	120	4000	4	62x7
EXCTVR-044	44,45	1 3/4																
EXCTVR-045	45	1 3/4																

EXCTVR-049	49,2	1 15/16																	
EXCTVR-050	50	1 31/32	34	60	73	114	57,2	35	94	135	38	16	M6	120	140	3800	4	72x7	
EXCTVR-051	50,8	2																	

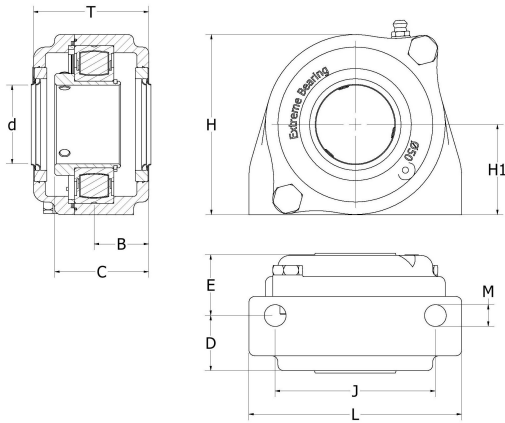
If needed size J is not listed, please contact info@extremebearing.com

See tabs below for more types!



EXCEV(R) Compact pillow block bearing

Single row spherical roller bearing with set screw mounting



See tabs below for more types!

Type	d		B	C	T	H	H ¹	D	J	L	E	M	Grease hole	Basic load rating in KN		Limiting speed RPM	Axial movement	Seal seat
	Metric	Imperial												Dynamic	Static			
EXCEV-024	23,81	15/16	25	44	54	73	36,5	25	56	70	29	10	M6	50	55	6300	3,5	42x7
EXCEV-025	25	62/63																
EXCEV-A25	25,4	1																
EXCEV-028	28,57	1 1/8	26	48	60	85	42,9	26	76	98	33	10	M6	68	78	5300	3,5	47x7
EXCEV-030	30	1 2/11																
EXCEV-A30	30,16	1 3/16																
EXCEV-032	31,75	1 1/4	28	50	60	94	47,6	28	83	103	33	10	M6	77	88	4800	3,5	52x7
EXCEV-A35	34,9	1 3/8																
EXCEV-035	35	1 17/45																
EXCEV-037	36,51	1 7/16	28	51	62	98	49,2	28	89	116	34	12	M6	80	95	4500	3,5	62x7
EXCEV-038	38,1	1 1/2																
EXCEV-040	40	1 23/40																
EXCEV-043	42,86	1 11/16	32	57	69	107	54	32	95	120	37	12	M6	83	102	4000	4	62x7
EXCEV-044	44,45	1 3/4																
EXCEV-045	45	1 3/4																
EXCEV-049	49,2	1 15/16	34	60	73	114	57,2	35	102	135	38	16	M6	102	125	3800	4	72x7
EXCEV-050	50	1 31/32																
EXCEV-051	50,8	2																
Type	d		B	C	T	H	H ¹	D	J	L	E	M	Grease hole	Basic load rating in KN		Limiting speed RPM	Axial movement	Seal seat
	Metric	Imperial												Dynamic	Static			
EXCEVR-028	28,57	1 1/8	26	48	60	85	42,9	26	66	98	33	10	M6	68	78	5300	3,5	47x7
EXCEVR-030	30	1 2/11																
EXCEVR-A30	30,16	1 3/16																
EXCEVR-032	31,75	1 1/4	28	50	60	94	47,6	28	80	103	33	10	M6	77	88	4800	3,5	52x7
EXCEVR-A35	34,9	1 3/8																
EXCEVR-035	35	1 17/45																
EXCEVR-037	36,51	1 7/16	28	51	62	98	49,2	28	84	116	34	12	M6	80	95	4500	3,5	62x7
EXCEVR-038	38,1	1 1/2																
EXCEVR-040	40	1 23/40																
EXCEVR-043	42,86	1 11/16	32	57	69	107	54	32	90	120	37	12	M6	83	102	4000	4	62x7
EXCEVR-044	44,45	1 3/4																
EXCEVR-045	45	1 3/4																

EXCEVR-049	49,2	1 15/16																	
EXCEVR-050	50	1 31/32	34	60	73	114	57,2	35	94	135	38	16	M6	102	125	3800	4	72x7	
EXCEVR-051	50,8	2																	

If needed size J is not listed, please contact info@extremebearing.com

See tabs below for more types!

