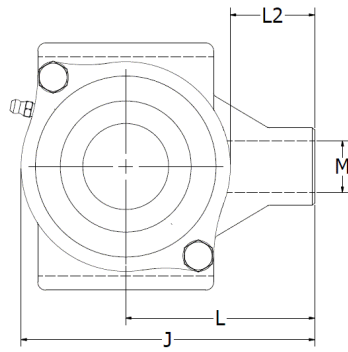
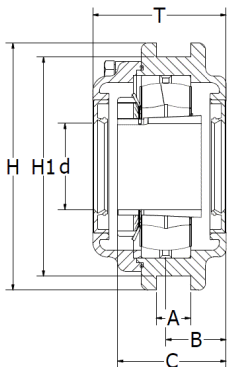


EXTT Take-up bearing

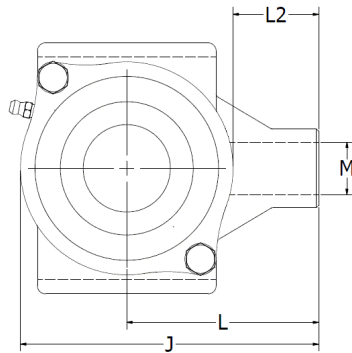
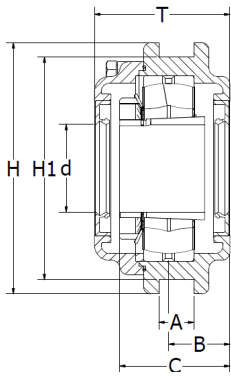
Double spherical roller bearing + adapter



Typ	d		B	C	T	H ¹	A	H	L	J	L ²	M Metric thread	Grease hole	Basic load rating in KN		Limiting speed RPM	Axial movement	Seal seat
	Metric	Imperial												Dynamic	Static			
EXTT-024	23,81	15/16	25	44	54	76	12	91	100	64	28	16	M6	59	62	6300	3,5	42x7
EXTT-025	25	62/63																
EXTT-A25	25,4	1																
EXTT-028	28,57	1 1/8	26	48	60	89	12	104	124	70	32	20	M6	81	88	5300	3,5	47x7
EXTT-030	30	1 2/11																
EXTT-A30	30,16	1 3/16																
EXTT-032	31,75	1 1/4	28	50	60	89	12	103	124	78	32	20	M6	88	100	4800	3,5	52x7
EXTT-A35	34,9	1 3/8																
EXTT-035	35	1 17/45																
EXTT-037	36,51	1 7/16	28	51	62	102	16	115	136	88	34	24	M6	95	105	4500	3,5	62x7
EXTT-038	38,1	1 1/2																
EXTT-040	40	1 23/40																
EXTT-043	42,86	1 11/16	32	57	69	102	16	117	140	87	34	24	M6	100	120	4000	4	62x7
EXTT-044	44,45	1 3/4																
EXTT-045	45	1 3/4																
EXTT-049	49,2	1 15/16	34	60	73	102	16	117	149	90	38	27	M6	120	140	3800	4	72x7
EXTT-050	50	1 31/32																
EXTT-051	50,8	2																
EXTT-054	53,9	2 1/8	34	62	74	130	22	146	171	106	42	30	M6	145	175	3400	4	72x7
EXTT-055	55	2 1/6																
EXTT-056	55,56	2 3/16																
EXTT-057	57,15	2 1/4	36	66	79	130	22	146	186	118	42	30	M6	180	220	3000	4	82x7
EXTT-060	60	2 25/69																
EXTT-062	61,91	2 7/16																
EXTT-064	63,5	2 1/2	71	42	91								1/8" BSP	190	250	2800	6	100x10
EXTT-065	65	2 52/93																
EXTT-068	68,26	2 11/16																
EXTT-A70	69,85	2 3/4	46	77	104								1/8" BSP	210	275	2600	9	100x10
EXTT-070	70	2 65/86																
EXTT-A75	74,61	2 15/16																
EXTT-075	75	2 20/21	47	87	104								1/8" BSP	250	325	2400	12,5	110x12
EXTT-076	76,2	3																
EXTT-080	80	3 3/20																
EXTT-081	80,9	3 3/16	48	84	108	165	28	184	271	180	68	39	1/8" BSP	305	410	2200	5	110x12
EXTT-083	82,55	3 1/4																

EXTE Take-up bearing

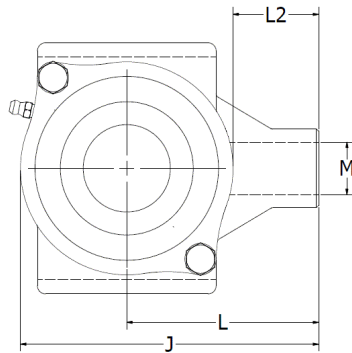
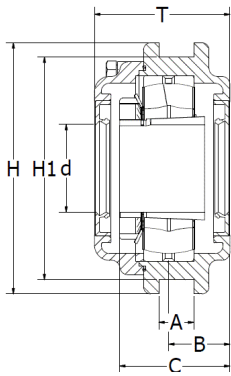
Single row spherical roller bearing + adapter



Typ	d		B	C	T	H ¹	A	H	J	L	L ²	M	Grease hole	Basic load rating in KN		Limiting speed RPM	Axial movement	Seal seat
	Metric	Imperial												Dynamic	Static			
EXTE-024	23,81	15/16	25	44	54	76	12	91	100	64	28	16	M6	50	55	6300	3,5	42x7
EXTE-025	25	62/63																
EXTE-A25	25,4	1																
EXTE-028	28,57	1 1/8	26	48	60	89	12	104	124	70	32	20	M6	68	78	5300	3,5	47x7
EXTE-030	30	1 2/11																
EXTE-A30	30,16	1 3/16																
EXTE-032	31,75	1 1/4	28	50	60	89	12	103	124	78	32	20	M6	77	88	4800	3,5	52x7
EXTE-A35	34,9	1 3/8																
EXTE-035	35	1 17/45																
EXTE-037	36,51	1 7/16	28	51	62	102	16	115	136	88	34	24	M6	80	95	4500	3,5	62x7
EXTE-038	38,1	1 1/2																
EXTE-040	40	1 23/40																
EXTE-043	42,86	1 11/16	32	57	69	102	16	117	140	87	34	24	M6	83	102	4000	4	62x7
EXTE-044	44,45	1 3/4																
EXTE-045	45	1 3/4																
EXTE-049	49,2	1 15/16	34	60	73	102	16	117	149	90	38	27	M6	102	125	3800	4	72x7
EXTE-050	50	1 31/32																
EXTE-051	50,8	2																
EXTE-054	53,9	2 1/8	34	62	74	130	22	146	171	106	42	30	M6	100	120	3400	4	72x7
EXTE-055	55	2 1/6																
EXTE-056	55,56	2 3/16																
EXTE-057	57,15	2 1/4	36	66	79	130	22	146	186	118	42	30	M6	150	190	3000	4	82x7
EXTE-060	60	2 25/69																
EXTE-062	61,91	2 7/16																
EXTE-064	63,5	2 1/2	71	42	91								1/8" BSP	160	200	2800	6	100x10
EXTE-065	65	2 52/93																
EXTE-068	68,26	2 11/16																
EXTE-A70	69,85	2 3/4	46	77	104								1/8" BSP	170	220	2600	9	100x10
EXTE-070	70	2 65/86																
EXTE-A75	74,61	2 15/16																
EXTE-075	75	2 20/21	47	87	104								1/8" BSP	250	325	2400	12,5	110x12
EXTE-076	76,2	3																
EXTE-080	80	3 3/20																
EXTE-081	80,9	3 3/16	48	84	108	165	28	184	271	180	68	39	1/8" BSP	210	270	2200	5	110x12
EXTE-083	82,55	3 1/4																

EXTTC Take-up bearing

Double spherical cylindrical roller bearing



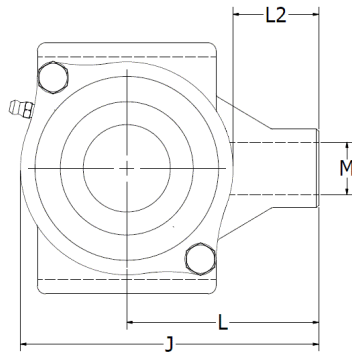
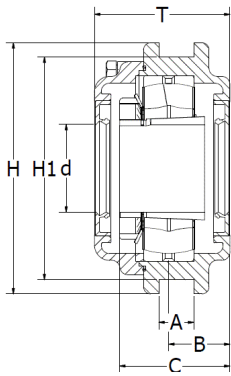
Used tolerance for shaft diameter is according ISO Passing System m5. With a wider passing, loctite is recommended.

Typ	d		B	C	T	H ¹	A	H	J	L	L ²	M	Grease hole	Basic load rating in KN		Limiting speed RPM	Axial movement	Seal seat
	Metric	Imperial												Dynamic	Static			
EXTTC-025	30	1 2/11	25	44	54	76	12	91	100	64	28	16	M6	59	62	6300	3,5	42x7
EXTTC-030	35	1 17/45	26	48	60	89	12	104	124	70	32	20	M6	81	88	5300	3,5	47x7
EXTTC-035	40	1 23/40	28	50	60	89	12	103	124	78	32	20	M6	88	100	4800	3,5	52x7
EXTTC-040	45	1 3/4	28	51	62	102	16	115	136	88	34	24	M6	95	105	4500	3,5	62x7
EXTTC-045	50	1 31/32	32	57	69	102	16	117	140	87	34	24	M6	100	120	4000	4	62x7
EXTTC-050	55	2 1/6	34	60	73	102	16	117	149	90	38	27	M6	120	140	3800	4	72x7
EXTTC-055	60	2 25/69	34	62	74	130	22	146	171	106	42	30	M6	145	175	3400	4	72x7
EXTTC-060	65	2 52/93	36	66	79	130	22	146	186	118	42	30	M6	180	220	3000	4	82x7
EXTTC-065	75	2 20/21	71	42	91								1/8" BSP	190	250	2800	6	100x10
EXTTC-070	80	3 3/20	46	77	104								1/8" BSP	210	275	2600	9	100x10
EXTTC-075	85	3 11/32	47	87	104								1/8" BSP	250	325	2400	12,5	110x12
EXTTC-080	90	3 25/46	48	84	108	165	28	184	271	180	68	39	1/8" BSP	305	410	2200	5	110x12



EXTEC Take-up bearing

Single row spherical cylindrical roller bearing

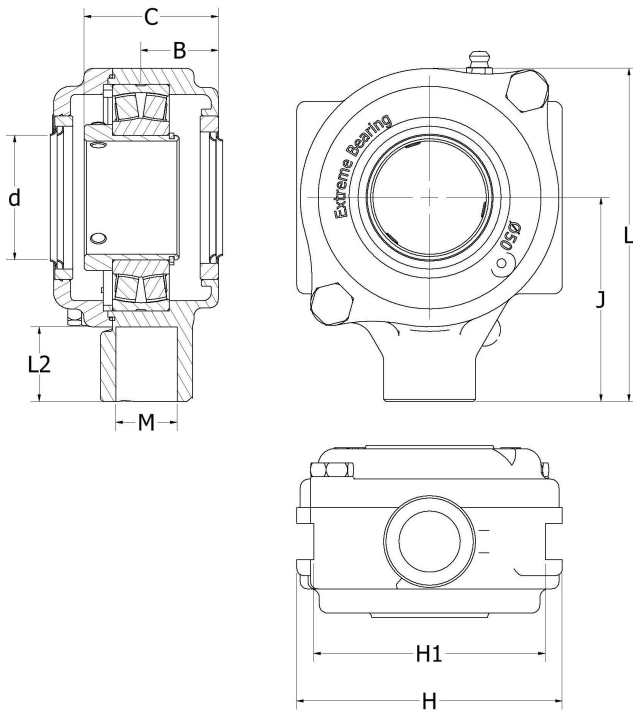


Used tolerance for shaft diameter is according ISO Passing System m5. With a wider passing, loctite is recommended.

Typ	d		B	C	T	H ¹	A	H	J	L	L ²	M	Grease hole	Basic load rating in KN		Limiting speed RPM	Axial movement	Seal seat
	Metric	Imperial												Dynamic	Static			
EXTEC-025	30	1 2/11	25	44	54	76	12	91	100	64	28	16	M6	50	55	6300	3,5	42x7
EXTEC-030	35	1 17/45	26	48	60	89	12	104	124	70	32	20	M6	68	78	5300	3,5	47x7
EXTEC-035	40	1 23/40	28	50	60	89	12	103	124	78	32	20	M6	77	88	4800	3,5	52x7
EXTEC-040	45	1 3/4	28	51	62	102	16	115	136	88	34	24	M6	80	95	4500	3,5	62x7
EXTEC-045	50	1 31/32	28	51	62	102	16	115	136	88	34	24	M6	83	102	4000	4	62x7
EXTEC-050	55	2 1/6	34	60	73	102	16	117	149	90	38	27	M6	102	125	3800	4	72x7
EXTEC-055	60	2 25/69	34	62	74	130	22	146	171	106	42	30	M6	100	120	3400	4	72x7
EXTEC-060	65	2 52/93	36	66	79	130	22	146	186	118	42	30	M6	150	190	3000	4	82x7
EXTEC-065	75	2 20/21	71	42	91								1/8" BSP	160	200	2800	6	100x10
EXTEC-070	80	3 3/20	46	77	104								1/8" BSP	170	220	2600	9	100x10
EXTEC-075	85	3 11/32	47	87	104								1/8" BSP	250	325	2400	12,5	110x12
EXTEC-080	90	3 25/46	48	84	108	165	28	184	271	180	68	39	1/8" BSP	210	270	2200	5	110x12

EXTTV Take-up bearing

Double spherical roller bearing with set screw mounting



Typ	d		B	C	T	H ¹	A	H	L	J	L ²	M	Grease hole	Basic load rating in KN		Limiting speed RPM	Axial movement	Seal seat
	Metric	Imperial												Dynamic	Static			
EXTTV-024	23,81	15/16	25	44	54	76	12	91	100	64	28	16	M6	59	62	6300	3,5	42x7
EXTTV-025	25	62/63																
EXTTV-A25	25,4	1																
EXTTV-028	28,57	1 1/8	26	48	60	89	12	104	124	70	32	20	M6	81	88	5300	3,5	47x7
EXTTV-030	30	1 2/11																
EXTTV-A30	30,16	1 3/16																
EXTTV-032	31,75	1 1/4	28	50	60	89	12	103	124	78	32	20	M6	88	100	4800	3,5	52x7
EXTTV-A35	34,9	1 3/8																
EXTTV-035	35	1 17/45																
EXTTV-037	36,51	1 7/16	28	51	62	102	16	115	136	88	34	24	M6	95	105	4500	3,5	62x7
EXTTV-038	38,1	1 1/2																
EXTTV-040	40	1 23/40																
EXTTV-043	42,86	1 11/16	32	57	69	102	16	117	140	87	34	24	M6	100	120	4000	4	62x7
EXTTV-044	44,45	1 3/4																
EXTTV-045	45	1 3/4																
EXTTV-049	49,2	1 15/16	34	60	73	102	16	117	149	90	38	27	M6	120	140	3800	4	72x7
EXTTV-050	50	1 31/32																
EXTTV-051	50,8	2																
EXTTV-054	53,9	2 1/8	34	62	74	130	22	146	171	106	42	30	M6	145	175	3400	4	72x7
EXTTV-055	55	2 1/6																
EXTTV-056	55,56	2 3/16																
EXTTV-057	57,15	2 1/4	36	66	79	130	22	146	186	118	42	30	M6	180	220	3000	4	82x7
EXTTV-060	60	2 25/69																
EXTTV-062	61,91	2 7/16																
EXTTV-064	63,5	2 1/2	71	42	91								1/8" BSP	190	250	2800	6	100x10
EXTTV-065	65	2 52/93																
EXTTV-068	68,26	2 11/16																
EXTTV-A70	69,85	2 3/4	46	77	104								1/8" BSP	210	275	2600	9	100x10

EXTTV-070	70	2 65/86																
EXTTV-A75	74,61	2 15/16																
EXTTV-075	75	2 20/21	47	87	104							1/8" BSP	250	325	2400	12,5	110x12	
EXTTV-076	76,2	3																
EXTTV-080	80	3 3/20																
EXTTV-081	80,9	3 3/16	48	84	108	165	28	184	271	180	68	39	1/8" BSP	305	410	2200	5	110x12
EXTTV-083	82,55	3 1/4																

EXTEV Take-up bearing

Single row spherical roller bearing with set screw mounting



Typ	d		B	C	T	H ¹	A	H	J	L	L ²	M	Grease hole	Basic load rating in KN		Limiting speed RPM	Axial movement	Seal seat
	Metric	Imperial												Dynamic	Static			
EXTEV-024	23,81	15/16	25	44	54	76	12	91	100	64	28	16	M6	50	55	6300	3,5	42x7
EXTEV-025	25	62/63																
EXTEV-A25	25,4	1																
EXTEV-028	28,57	1 1/8	26	48	60	89	12	104	124	70	32	20	M6	68	78	5300	3,5	47x7
EXTEV-030	30	1 2/11																
EXTEV-A30	30,16	1 3/16																
EXTEV-032	31,75	1 1/4	28	50	60	89	12	103	124	78	32	20	M6	77	88	4800	3,5	52x7
EXTEV-A35	34,9	1 3/8																
EXTEV-035	35	1 17/45																
EXTEV-037	36,51	1 7/16	28	51	62	102	16	115	136	88	34	24	M6	80	95	4500	3,5	62x7
EXTEV-038	38,1	1 1/2																
EXTEV-040	40	1 23/40																
EXTEV-043	42,86	1 11/16	32	57	69	102	16	117	140	87	34	24	M6	83	102	4000	4	62x7
EXTEV-044	44,45	1 3/4																
EXTEV-045	45	1 3/4																
EXTEV-049	49,2	1 15/16	34	60	73	102	16	117	149	90	38	27	M6	102	125	3800	4	72x7
EXTEV-050	50	1 31/32																
EXTEV-051	50,8	2																
EXTEV-054	53,9	2 1/8	34	62	74	130	22	146	171	106	42	30	M6	100	120	3400	4	72x7
EXTEV-055	55	2 1/6																
EXTEV-056	55,56	2 3/16																
EXTEV-057	57,15	2 1/4	36	66	79	130	22	146	186	118	42	30	M6	150	190	3000	4	82x7
EXTEV-060	60	2 25/69																
EXTEV-062	61,91	2 7/16																
EXTEV-064	63,5	2 1/2	71	42	91								1/8" BSP	160	200	2800	6	100x10
EXTEV-065	65	2 52/93																
EXTEV-068	68,26	2 11/16																
EXTEV-A70	69,85	2 3/4	46	77	104								1/8" BSP	170	220	2600	9	100x10
EXTEV-070	70	2 65/86																
EXTEV-A75	74,61	2 15/16																
EXTEV-075	75	2 20/21	47	87	104								1/8" BSP	250	325	2400	12,5	110x12
EXTEV-076	76,2	3																
EXTEV-080	80	3 3/20																
EXTEV-081	80,9	3 3/16	48	84	108	165	28	184	271	180	68	39	1/8" BSP	210	270	2200	5	110x12
EXTEV-083	82,55	3 1/4																

